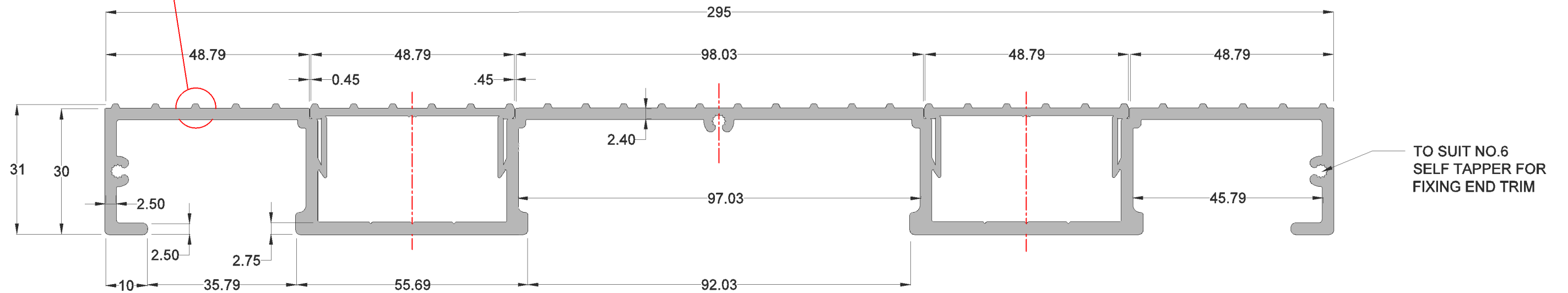
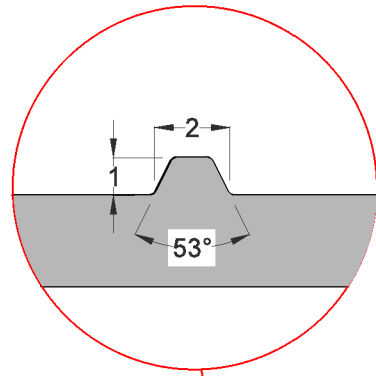


NOTES.
 1. ALL DIMENSIONS ARE IN MILLIMETRES UNLESS OTHERWISE SPECIFIED.
 2. DO NOT SCALE FROM THIS DRAWING

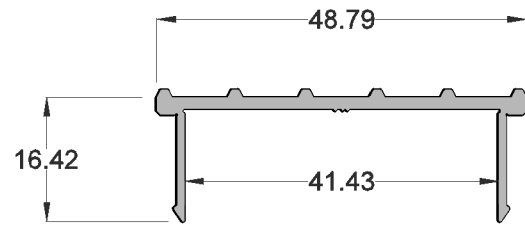


DECKBOARD
DETAILS

SPECIFICATIONS

- CLASS A2fl-s1
- MATERIAL: ALLOY 6063 T6
- PROFILE DIMENSIONS (DECKBOARD): 30 (31 O/A) x 295
- COLOURS: ANTHRACITE RAL 7016*
- AVAILABLE IN 4m, 5m & 6m LENGTHS*

*BESPOKE LENGTHS AND OTHER COLOURS AVAILABLE



CHANNEL COVER
DETAILS



ISSUE	DESCRIPTION	ORIG.	APPR.	DATE
1	FIRST ISSUE	MDR		24-08-2020



DESCRIPTION
 A30 ENHANCED GRIP
 295mm WIDE ADEK BOARD
 GENERAL ASSEMBLY

WEIGHT	3.52 kg/m	PROJECTION IF APPLICABLE		DRAWN	CHECKED	APPROVED	1ST ISSUE
SCALE	1:1@A3	DIMENSION UNITS	mm	MDR			24-08-2020
TOLERANCE	± 0.5	DRAWING No.		ADK-A30EG-295-V1		ISSUE	
						1	