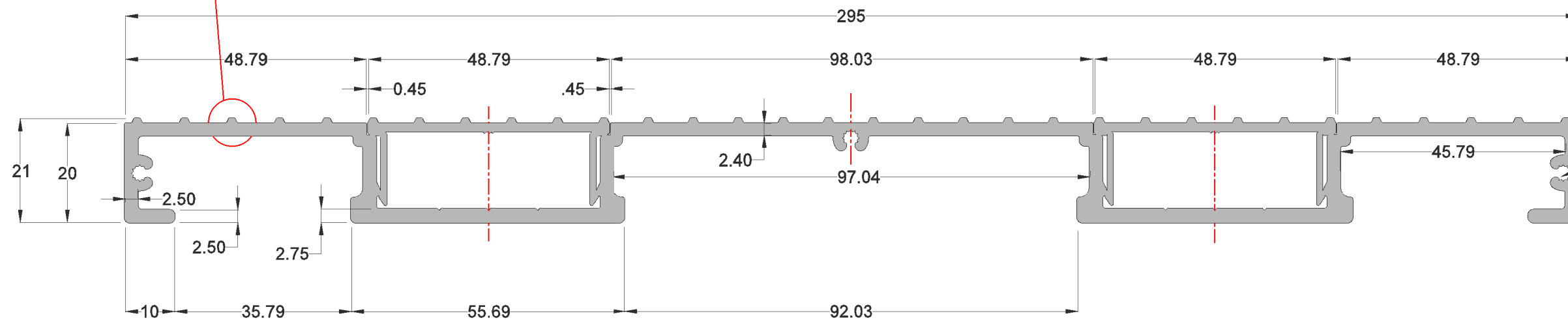
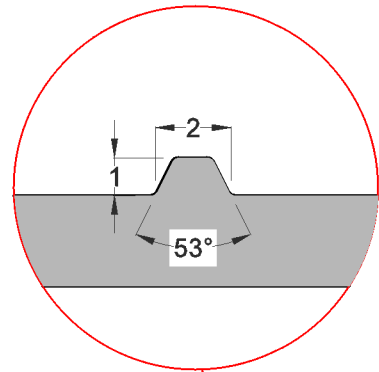


NOTES.
 1. ALL DIMENSIONS ARE IN MILLIMETRES UNLESS OTHERWISE SPECIFIED.
 2. DO NOT SCALE FROM THIS DRAWING



TO SUIT NO.6
 SELF TAPPER FOR
 FIXING END TRIM

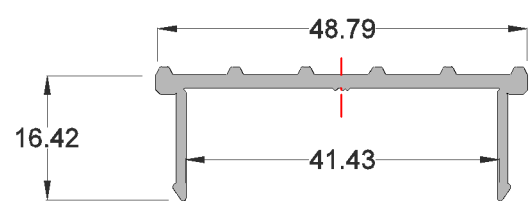
**DECKBOARD
 DETAILS**

SPECIFICATIONS

- CLASS A2fl-s1
- MATERIAL: ALLOY 6063 T6
- PROFILE DIMENSIONS (DECKBOARD): 20 (21 O/A) x 295
- COLOURS: ANTHRACITE RAL 7016*
- AVAILABLE IN 4m, 5m & 6m LENGTHS*

*BESPOKE LENGTHS AND OTHER COLOURS AVAILABLE

**CHANNEL COVER
 DETAILS**



ISSUE	DESCRIPTION	ORIG.	APPR.	DATE
1	FIRST ISSUE	MDR		24-08-2020



DESCRIPTION
 A20 ENHANCED GRIP
 295mm WIDE ADEK BOARD
 GENERAL ASSEMBLY

WEIGHT	3.11 kg/m
SCALE	1:1@A3
TOLERANCE	± 0.5

PROJECTION
 IF APPLICABLE

DIMENSION
 UNITS

mm

DRAWN MDR	CHECKED	APPROVED	1ST ISSUE 24-08-2020
DRAWING No. ADK-A20EG-295-V1			ISSUE 1