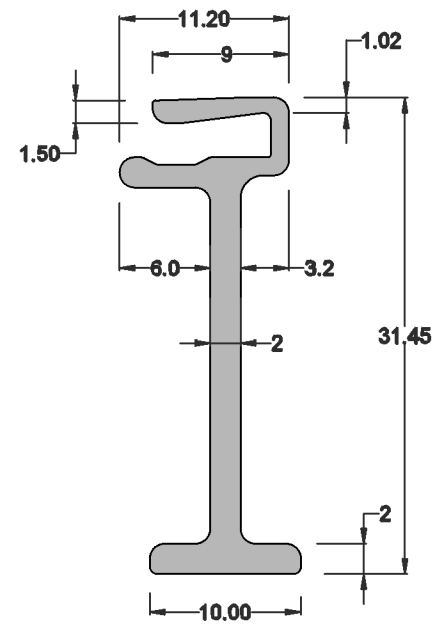


NOTES.
 1. ALL DIMENSIONS ARE IN MILLIMETRES UNLESS OTHERWISE SPECIFIED.
 2. DO NOT SCALE FROM THIS DRAWING



SPECIFICATIONS

- MATERIAL: ALLOY 6063
- PROFILE DIMENSIONS: 30mm (31.45) x 11.2mm
- COLOURS: ANTHRACITE*
- AVAILABLE IN 4m, 5m & 6m LENGTHS

*BESPOKE COLOURS AVAILABLE



ISSUE	DESCRIPTION	ORIG.	APPR.	DATE
1	FIRST ISSUE	MDR		22-01-2020



DESCRIPTION	WEIGHT	SCALE	TOLERANCE
A30 - ADEK LEG SUPPORT GENERAL ASSEMBLY		2:1@A3	± 0.5

PROJECTION IF APPLICABLE	DIMENSION UNITS
	mm

DRAWN	CHECKED	APPROVED	1ST ISSUE
MDR			22-01-2020
DRAWING No. ADK-A30LG-001-V1			ISSUE 1